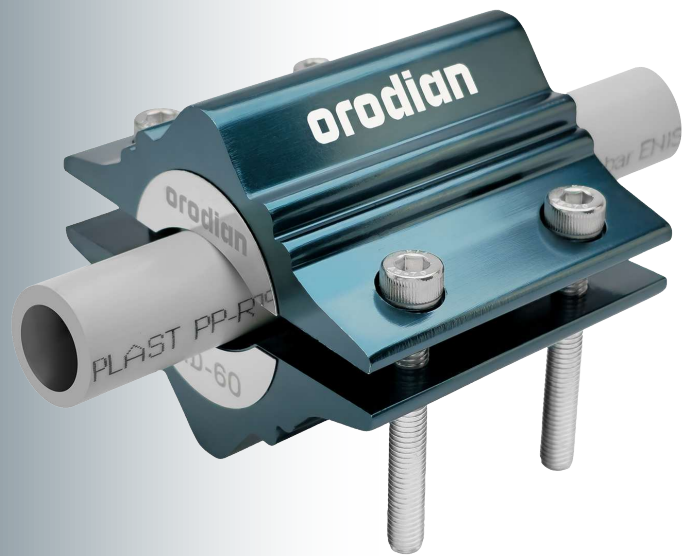




# orodian

## MAGNETIC WATER SOFTENER ORODIAN



### Instructions for use

**Orodian s. r. o.**  
M. R. Štefánika 1068/6  
972 51 Handlová, Slovakia

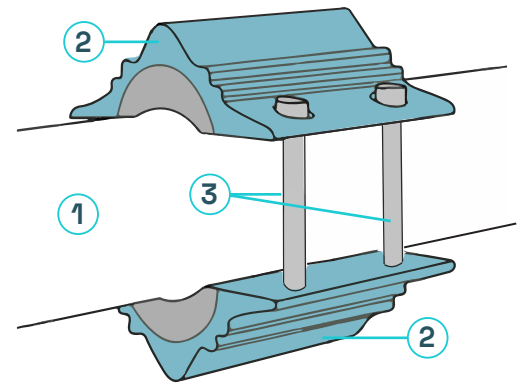


OEN-N3-2024-02-01

Magnetic water softeners are installed directly onto a water pipe. They consist of two strong magnets that surround the pipe. They continuously create a strong magnetic field that affects the properties of the water in the pipe.

**Note:** The magnetic water softener you purchased may differ from the model shown on the right. However, the principle of installation is the same.

- 1 - water pipe
- 2 - magnetic water softener
- 3 - screws



## Theory of the influence of a magnetic field on water and limescale

Normally, limescale ( $\text{CaCO}_3$ ) is dissolved in water. Under the influence of a magnetic field, it precipitates, turning into small solid crystals. These will then enter your appliance together with the water, but they will not precipitate on the surface of the appliance, as they have already precipitated in the magnetic field. As the water is drained from the appliance, these limescale crystals are also carried away.

### What happens when the magnetised water evaporates?

Magnetisation does not remove limescale from the water; the limescale simply settles less on surfaces. When the water drains off, the limescale usually drains off with it. However, if the water evaporates, the limescale remains. This should be easier to remove than with non-magnetised water.

## The advantages of magnetic water treatment compared to conventional water softeners

- easy installation (just place the magnet on the pipe)
- no operating costs
  - unlike chemical water softeners, there is no need to change the filling,
  - zero power consumption, no batteries required
- no hygiene risk - magnets do not come into contact with water
- magnetic water softeners do not remove calcium from the water
- magnetic water softeners do not add chemicals to the water
- magnetic water softeners are significantly cheaper

Unlike chemical decalcifiers, magnetic water softeners do not change the mineral composition of the water. Since calcium and magnesium cations remain in the water, magnetic water treatment cannot completely prevent limescale formation in your appliances, but it should significantly reduce it. It must be taken into account that after passing through the magnetic field of the water softener, the water retains the modified properties for a limited period of time. It is therefore not suitable for protecting installations where the same water has been used for a long time.

The effectiveness of magnetic water treatment can depend on many factors: the composition of the water, the type and condition of the water pipes, the temperature of the water, the velocity of the water flow in the pipes and other external factors. Therefore, in some cases, it may not produce the desired results. As the efficiency of magnetic softening can vary according to local conditions, **we have decided to allow customers to return the softener up to 6 months after purchase without giving any reason.** Everyone can test the softener directly on their water, in their installation site and local conditions. **Most customers have a good experience with our water softeners.**

If the water softener does not work to your satisfaction, simply email us at **info@orodian.com** **within 6 months of purchase..** We will accept the water softener back without any questions and refund your full payment.

## Health effects

Although the magnetic water softener does not change the mineral composition of the water, no study has yet been carried out to prove the safety of drinking magnetised water over a long period of time.

We therefore recommend that you only use the water softener to treat water for the protection of your appliances, not to treat water for drinking.

## Installation instructions

Place the water softener on the water pipe upstream of the appliance you wish to protect from limescale. You can also place it on a common water supply for multiple appliances. This way you protect them with one water softener at a time.

The magnetic water softener should work better the faster the water passes through the magnetic field. Therefore, it is recommended to place it in the part of the pipe where the water flows the fastest.

After passing through the water softener's magnetic field, water retains the modified properties for a limited time. The length of this period may vary according to local conditions and the characteristics of the water. As a rule of thumb, it can be expected to last about 2 days. Magnetic softening is therefore not suitable for protecting appliances in which the same water remains for a long time.

If possible, place the water softener on a pipe made of non-magnetic material (plastic, copper, aluminium, etc.). Pipes made of iron or steel partially block the magnetic field and can therefore reduce its efficiency. If you don't have this option, try to choose a place where the pipe is as thin as possible (it's not the pipe diameter that needs minimising, but the thickness of the iron or steel that forms the pipe's perimeter) so that the magnetic field is minimally shielded.

Water softener **ORODIAN MD-20** is suitable for pipes with a maximum **diameter of 20 millimetres.**

Water softener **ORODIAN MD-60** is suitable for pipes with a diameter **from 15 mm to 60 mm.**

Water softener **ORODIAN MD-102** is suitable for pipes with a diameter **from 75 mm to 102 mm.**

## Has the water softener worked for you?

The effectiveness of magnetic water treatment in solving limescale problems is still the subject of ongoing debate in the professional community. There are several theories with different conclusions about the degree of its effectiveness. We have included one of these in the product description. A final scientifically confirmed conclusion has not yet been formulated, or at least we are not aware of it.

We also believe in the positive effects of magnetic water treatment on limescale problems based on the experience of many of our customers who are satisfied with the magnetic water softeners and keep them installed even after an extended 6 month trial period. By purchasing our product, you can test the results right at home.

We would appreciate it if you would write a review or share your experience with the magnetic water softener to our email address: **info@orodian.com**

**If the magnetic water softener does not give you the results you want, you can return it to us within 6 months of purchase without having to give a reason.**